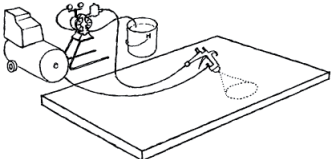
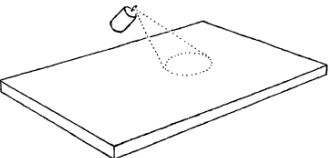

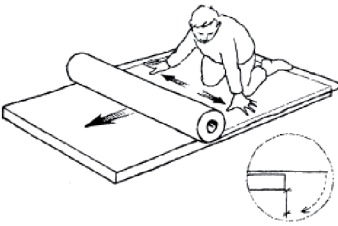
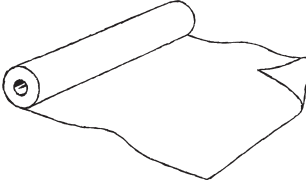
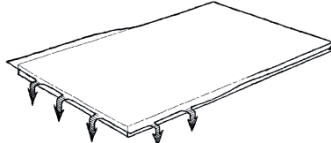
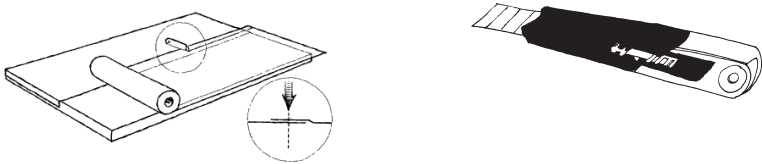
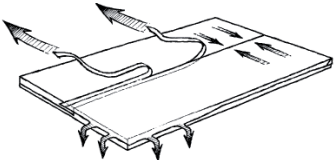


Formtex[®] Application Guide

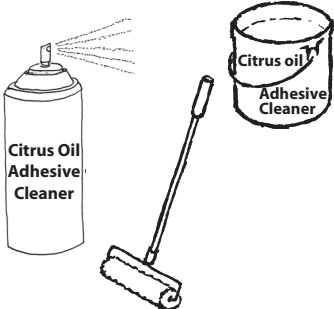
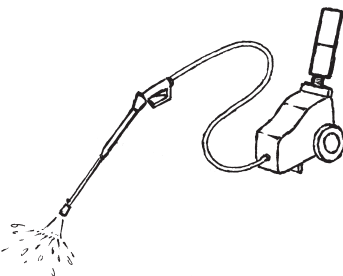
Gluing Method

STEP	ACCESSORIES	DESCRIPTION
<p>1</p> 	<ul style="list-style-type: none"> • Compressor min. 6 bar, 300 l/min • Membrane pump* • Spray gun* • Water based acrylic pressure sensitive adhesive* 	<p>Spray the glue onto the formwork and its sides with a spray gun connected to a compressor.</p> <p>Glue usage: 50 - 200 g/m²</p> <p>* please contact your local Formtex distributor for more information</p>
<p>1 -Alternatively</p> 	<p>3M Super 77 Spray glue</p> 	<p>Spray the glue onto the formwork and its sides with a spray can.</p> <p>1 spray can = approx. 10 m²</p>
<p>2</p> 		<p>Unroll the Formtex[®] onto the formwork.</p> <p>Smooth out any folds or creases. Work from the middle towards the edges.</p> <p>NOTE Leave approx. 5 cm overhang on all sides of the formwork.</p>
<p>3</p> 		<p>Fold the edges along the formwork.</p> <p>NOTE Make sure that sides are properly glued.</p>

Joints

STEP	ACCESSORIES	DESCRIPTION
1		<p>After applying sufficient glue to the formwork and having attached the first length of Formtex[®], unroll the 2nd length overlapping the first length by 5 cm.</p> <p>Cut through the middle of the overlap.</p>
2		<p>Remove the two cut off section and carefully press down along the joint to ensure the edges are neatly abutted and adhered to the formwork.</p>

Cleaning

STEP	ACCESSORIES	DESCRIPTION
1		<p>Apply Citrus oil adhesive cleaner* with the same tools as used for applying the glue.</p> <p>Leave for 3-5 min.</p> <p>* please contact your local Formtex distributor for more information</p>
2		<p>Clean the formwork with a jet washer.</p>